



## GENERATING SETS

WATER COOLED THREE PHASES 50 HZ DIESEL

Service		Standby	Prime
Power	kVA	455	416
Power	kW	364	333
Rated Speed	r.p.m		1500
Standart Voltage	V		400/230
Rated At Power Factor	Cos Phi		0,8

GUCBIR Company with quality certification ISO 9001

GUCBIR gensets are compliant with EC mark which includes the following directives:

- 2006/42/EC Machinery safety.
- 2014/30/EU Electromagnetic compatibility.
- 2014/35/EU Electrical equipment designed for use within certain voltage limits
- 2000/14/EC Sound Power level. Noise emissions outdoor equipment. (amended by 2005/88/EC)
- 97/68/EC Emissions of gaseous and particulate pollutants. (amended by 2002/88/EC & 2004/26/EC)
- EN 12100, EN 13857, EN 60204

Ambient conditions of reference according to ISO 8528-1:2005 normative: 1000 mbar, 25°C, 30% relative humidity.

G2 class load acceptance in accordance with ISO 8528-5:2013



+90 216 312 7979

info@gucbirjenerator.com

**GUCBIR JENERATOR SAN. TIC. LTD. STI.**

Serifali Mahallesi, Tavukcuyolu Cad. No:200 - Umraniye / İSTANBUL / TÜRKİYE

T: +90 216 312 79 79 | F: +90 216 312 79 77

info@gucbirjenerator.com | www.gucbirjenerator.com

## SPECIFICATIONS



### Engine

### Alternator

#### Engine

#### Specifications

Standby Power/Prime Power	<i>kWm</i>	390 / 356
Manufacturer		Cummins
Model		QSG1262
Engine Type		4 Stroke - Diesel
Injection Type		Direct Injection
Aspiration Type		Turbocharged & Air Cooled
Number of cylinder		6
Bore and Stroke	<i>mm</i>	144x132
Displacement	<i>L</i>	11,8
Cooling System		Water Cooling
Fuel Consumption 50% PRP	<i>l/h</i>	41
Fuel Consumption 75% PRP	<i>l/h</i>	60
Fuel Consumption 100 % PRP	<i>l/h</i>	82
Fuel Consumption Standby	<i>l/h</i>	92,0
Total oil capacity including tubes, filters	<i>L</i>	34,1
Engine coolant capacity	<i>L</i>	48
Governor	<i>Type</i>	Electronic
Electric system voltage(V)	<i>V</i>	24

Maranello, Stamford and Leroy Somer are the brands of Alternator that you may choice with Perkins range.

# STAMFORD®

maranello  
alternator

LEROY  
SOMER®

#### Prime Power (PRP):

According to ISO 8528-1:2005, Prime power is the maximum power which a generating set is capable of delivering continuously whilst supplying a variable electrical load when operated for an unlimited number of hours per year under the agreed operating conditions with the maintenance intervals and procedures being carried out as prescribed by the manufacturer. The permissible average power output (Ppp) over 24 h of operation shall not exceed 70 % of the PRP.

#### Emergency Standby Power (ESP):

According to ISO 8528-1:2005, Emergency standby power is the maximum power available during a variable electrical power sequence, under the stated operating conditions, for which a generating set is capable of delivering in the event of a utility power outage or under test conditions for up to 200 h of operation per year with the maintenance intervals and procedures being carried out as prescribed by the manufacturers. The permissible average power output over 24 h of operation shall not exceed 70 % of the ESP.

**Note:** All data based on operation to ISO 3046/1, BS 5514 and DIN 6271 standard reference conditions



**+90 216 312 7979**

[info@gucbirgenerator.com](mailto:info@gucbirgenerator.com)

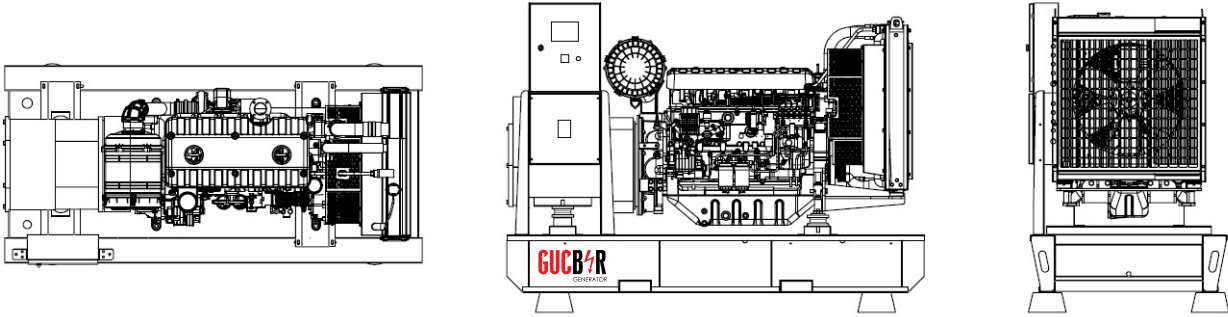
**GUCBIR JENERATOR SAN. TIC. LTD. STI.**

Serifali Mahallesi, Tavukcuyolu Cad. No:200 - Umraniye / ISTANBUL / TURKIYE

T: +90 216 312 79 79 | F: +90 216 312 79 77

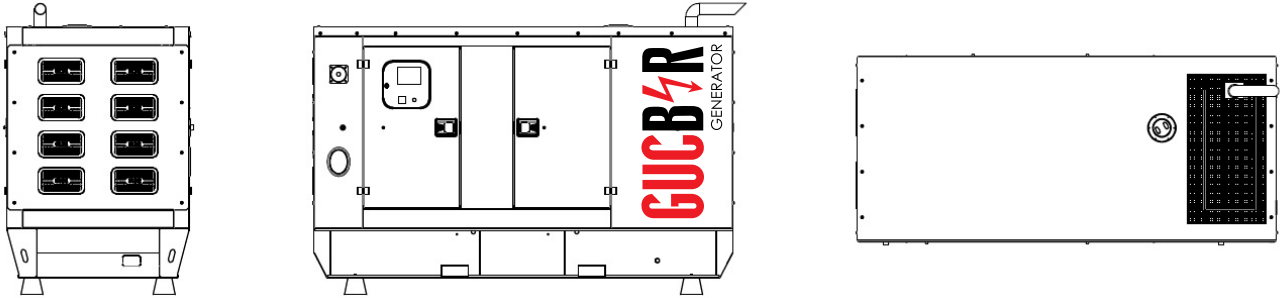
[info@gucbirgenerator.com](mailto:info@gucbirgenerator.com) | [www.gucbirgenerator.com](http://www.gucbirgenerator.com)

## DIMENSIONS



## OPEN SET

LxWxH	mm	3510x1600x2375
Weight	kg	
Fuel Tank	lt	800



## CANOPIED

LxWxH	mm	4480x1600x2700
Weight	kg	
Fuel Tank	lt	800

### Sound Proof Canopy

- Special design for minimizing acoustic level.
- Galvanized steel construction further protected by polyester powder coat paint.
- Black finish stainless steel locks and hinges.
- Control panel viewing window in a lockable access door.
- Emergency stop push button (red) mounted on enclosure exterior.
- Lifting, drag and jacking points on base frame.
- Radiator fill via removable, flush mounted rain cap fitted with compression seal.
- Acoustic insulation with moisture-repellent and non-flammable material

## CONTROL UNIT



## Control Unit

### GB500 - DATAKOM

ATS unit with uninterrupted transfer	Internet Central Monitoring
AMF unit with uninterrupted transfer	SMS / E-mail message sending
Remote / Manuel start controller	Flexible with plug-in modules
Engine controller	Free PC software: Rainbow Plus
GSM-GPRS-GPS-Ethernet Port	Modbus RTU
8 configurable digital inputs	

## ATS PANEL

GUCBIR automatic transfer switches are reliable, rugged, versatile, and compact assemblies for transferring essential loads and electrical distribution systems from one power source to another. GUCBIR 's contactor, changeover and MCCB based transfer switch is rated 40–3600A and can be supplied in separate enclosures for standalone applications or can be supplied as an integral component contactors, changeovers and MCCB's, inside the ATS panels are well known and internationally recognized brands such as ABB, SIEMENS, SCHNEIDER, GE, LS, HYUNDAI and ANDELI.



## OPTIONAL EQUIPMENTS

### Some Optional Equipments that GUCBIR provides with Generator Sets;

- Medium voltage alternator,
- Remote radiator applications,
- Automatic fuel filling system,
- Fuel tank, oil pan, dashboard, alternator, coil heaters,
- Alternator with double AVR and PMG,
- Synchronization systems, The generator output breaker,
- Grid-generator transfer switches,
- Accordance with the specific volume of demand-insulated cabins,
- Seismic solutions,
- Trailer,
- Remote monitoring.
- SMPS 12/24V 10A

### Control Panel

- DeepSea 7320
- Datakom D700/D300/D309/D200
- ComAp AMF9 / AMF25
- Emko



## GUCBIR JENERATOR SAN. TIC. LTD. STI.

Serifali Mahallesi, Tavukcuyolu Cad. No:200 - Umraniye / ISTANBUL / TURKIYE

T: +90 216 312 79 79 | F: +90 216 312 79 77

info@gucbirgenerator.com | www.gucbirgenerator.com



**+90 216 312 7979**

info@gucbirgenerator.com